



Sevic S70 TECHNICAL SHEET





SEVIC

Specification

Size LxWxH mm	1995x735x1245
Wheelbase, mm	1310
Min. ground weight, mm	740
Turning angle,	degrees 45
Wheel spacing, mm	365
Mass in running order, kg	108
Technically permissible max. laden mass, kg	246
Actual mass, kg	196
Range at full speed flat, km	100
Energy consumption, kW/km	33
Max. speed, km/h (mit drei Fahrmodus)	45
„Number of wheels, both rear wheels are driven by hub motors“	3

Motor

Number of motors	2
30 minutes power, kW	2,1
Maximum continuous-rated torque electric motor	34.0 N.m at 620 r/ min-1



SEVIC

Battery

Lithium	yes
Removable	yes
Number of batteries	2
2 parallel batteries link cable	yes
Capacity of 2 batteries	60V 60 Ah
Charge max. cycles	600 times, 6h charging time
Weight of 1 battery	12,5kg
Warranty	2 years 600 times of charge and discharge

Charger

Charger voltage	65,6V
Charger current	5A
Warranty	2 years

Tyres

Front size	3,50-10 250kpa
Back size	3,00-8 250kpa



SEVIC

Brakes

Front type	drum
Rear type	disc
Front disc diameter size	130
Rear disc diameter size	180
Switch sensor waterproof	yes

Light

Front lamp	LED
Rear lamp	LED
Turning light	LED

Speedometer

Digital/analogic	digital
Battery gauge with SOC (CAN)	yes

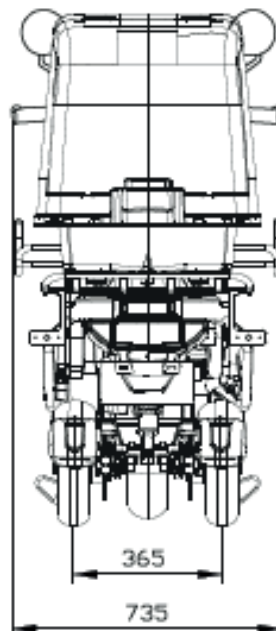
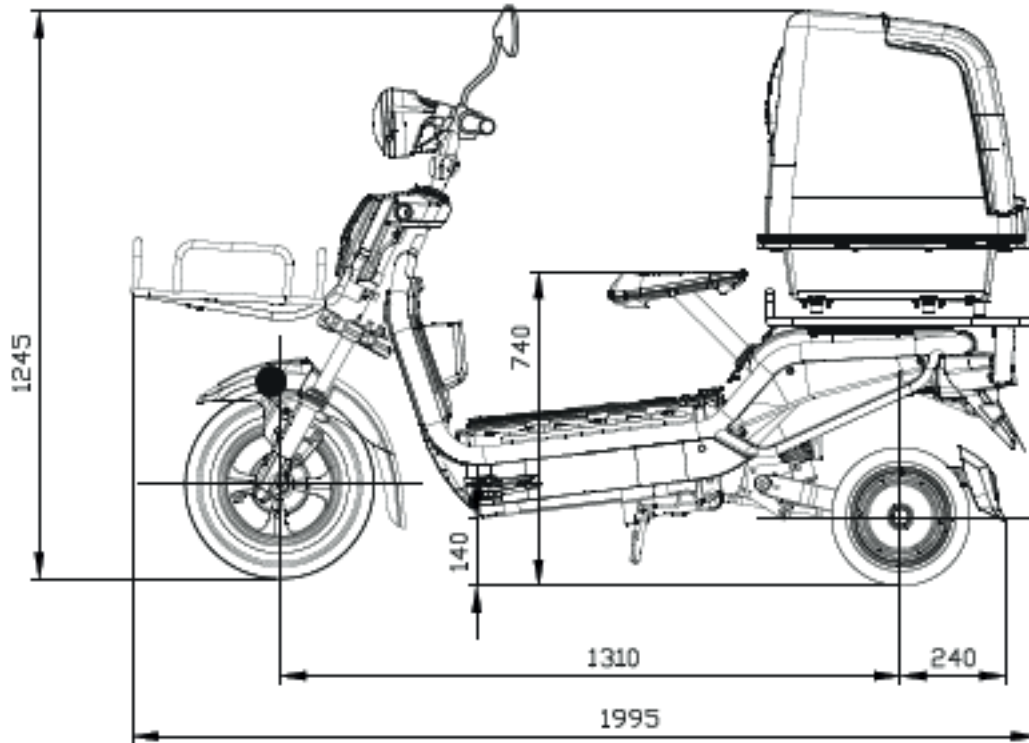
Serial equipment:

Front cage	
Rear plastic box with 3 levels, lockable	



SEVIC

Vehicle Type D2D



Vehicle Type	D2D
Complete vehicle- dimension	
Drawing No.	D2D-01



SEVIC

**Dückerweg 21
D-44867 Bochum, Germany
Phone: +49 2327 327 450
www.sevic-emobility.eu
info@sevic-emobility.eu**

